

BLICKMAN TABLES



NESTED INSTRUMENT TABLES
INSTRUMENT TABLES
ANESTHESIA/UTILITY TABLES
ADJUSTABLE HEIGHT TABLES
WORK TABLES



INSTRUMENT TABLES:



7821SS

NESTED INSTRUMENT TABLES are a space saving alternative with a unique design that requires only 8 sq. ft. of floor space but yields 31 sq. ft. of usable workspace. They can be ordered individually or as a complete set.

Model No.	Part No.	Dimensions (overall)	Ship Wt. (lb)
7821SS	0137821000	Complete set of six	300
7822SS	0137822000	48"L 24"W 42"H	110
7823SS	0137823000	44"L 22"W 40"H	90
7824SS	0137824000	40"L 20"W 38"H	80
7825SS	0137825000	36"L 18"W 36"H	60
7826SS	0137826000	32"L 16"W 34"H	50
7827SS	0137827000	28"L 14"W 32"H	40



7835SS

INSTRUMENT TABLES (HOWARD AND SAWYER MODELS) New and improved design offers complete 18 gauge, 304 stainless construction. Lightweight yet extremely durable. *Sanitary* closed top hem prevents bacterial build-up. *Sealed* reinforcing channels provide structural rigidity. 1-1/4" diameter legs are fully welded for strength and stability. There is a 16" clearance between shelves on the Howard Models. The Sawyer Model has an H-brace in lieu of a second shelf. H-braces are fully welded around the legs with no crevices for dirt to collect. All tables travel on three-inch casters.

Options: Guard rails and drawers.

Model No.	Part No.	Dimensions (overall)	Feature	Ship Wt. (lb)
SHELF MODELS				
7829SS	0117829000	30"L 16"W 34"H	shelf	40
7830SS	0117830000	20"L 16"W 34"H	shelf	32
7831SS	0117831000	33"L 18"W 34"H	shelf	48
7832SS	0117832000	36"L 20"W 34"H	shelf	48
7833SS	0117833000	36"L 24"W 34"H	shelf	60
7834SS	0117834000	48"L 20"W 34"H	shelf	72
7835SS	0117835000	48"L 24"W 34"H	shelf	80
7836SS	0117836000	60"L 24"W 35"H	shelf	112
7837SS	0117837000	72"L 24"W 35"H	shelf	120
H-BRACE MODELS				
7839SS	0127839000	30"L 16"W 34"H	H-brace	32
7840SS	0127840000	20"L 16"W 34"H	H-brace	24
7841SS	0127841000	33"L 18"W 34"H	H-brace	32
7842SS	0127842000	36"L 20"W 34"H	H-brace	36
7843SS	0127843000	36"L 24"W 34"H	H-brace	40
7844SS	0127844000	48"L 20"W 34"H	H-brace	52
7845SS	0127845000	48"L 24"W 34"H	H-brace	56
7846SS	0127846000	60"L 24"W 35"H	H-brace	96
7847SS	0127847000	72"L 24"W 35"H	H-brace	104



7845SS

ANESTHESIA/UTILITY TABLES:



7850SS



7857SS

ANESTHESIA/UTILITY TABLES are popular in the OR and throughout healthcare facilities as a general utility cart. Blickman's superior construction adds a supporting channel underneath the top shelf to enhance its strength; a positive stop to prevent accidental drawer removal and ball bearing slides for an easy-sliding drawer. Choose one to four drawers depending on your requirement.

Model No.	Part No.	Dimensions	Drawers	Ship Wt. (lb)
7850SS (Ferguson)	0217850000	20"L 16"W 34"H	1	50
7754SS (George)	0227754000	20"L 16"W 34"H	2	65
7857SS (Saturn)	0237857000	20"L 16"W 34"H	3	70
7859SS (Galaxy)	0247859000	20"L 16"W 34"H	4	110

Options: Two 10" drop leaf shelves, crutch tips, larger diameter casters, and guard rail on four sides.



7852SS

MODEL 7852SS UTILITY TABLE (ALLEN) is an all purpose table, which offers two solid shelves and a continuous guard rail welded onto the legs on all four sides to protect supplies and equipment. Travels easily on two-inch casters.

Model No.	Part No.	Dimensions	Ship Wt. (lb)
7852SS	0257852000	20"L 16"W 33"H	30

Options: Glides, crutch tips, larger diameter casters.



7856SS

MODEL 7856SS UTILITY TABLE (CRESCENT) is a combination utility-work table, which provides a large work surface and storage in two, four-inch deep drawers housed below the work surface. A continuous guard rail on three sides protects contents. Travels easily on three-inch casters.

Model No.	Part No.	Dimensions	Ship Wt. (lb)
7856SS	0317856000	36"L 20"W 34"H	90

Options: Glides, crutch tips, larger diameter casters.

ADJUSTABLE HEIGHT TABLES:



7895SS-0

ADJUSTABLE HEIGHT INSTRUMENT TABLES offer twenty inches of travel to accommodate changes in OR table position during neuro, cardiac and orthopedic surgery. When used in general surgery, the table can be adjusted to accommodate the varying heights of personnel. This model can be adjusted manually from either side with a detachable crank handle. Tables travel easily on three-inch swivel casters.

Model No.	Part No.	Dimensions (overall)	Leg Clearance	Height Adjustment	Ship Wt. (lb)
7892SS-0	0157892000	36"L 20"W	28"	36"-56"	140
7893SS-0	0157893000	36"L 24"W	28"	36"-56"	150
7894SS-0	0157894000	48"L 20"W	40"	36"-56"	150
7895SS-0	0157895000	48"L 24"W	40"	36"-56"	160
7896SS-0	0157896000	34"L 46"W	26"	36"-56"	175



7901SS-M

MOTORIZED ADJUSTABLE HEIGHT TABLES (MODELS 7901SS-M AND 7902SS-M) are battery powered for hands-free adjustment during surgery by depressing the foot switch. Two telescoping columns lift up to 200 lbs. of equipment from 39-3/4"-59". With a fully charged battery, the table can travel five full cycles (38.5" per cycle) with a weight load of 100 lbs. An 8 ft. power cord enables recharging when not in use. 120V 60HZ 1.6 AMPS. Unit travels on four-inch swivel casters, two with brakes. ETL and CSA listed.

Model No.	Part No.	Dimensions (overall)	Leg Clearance	Height Adjustment	Ship Wt. (lb)
7901SS-M	0157901000	50 1/2"L 24"W	38.5"	39 3/4"-59"H	325
7902SS-M	0157902000	41"L 46"W	26.5"	39 3/4"-59"H	325

Options: Drop leaf, handset, guard rail, special size tabletops available on request.



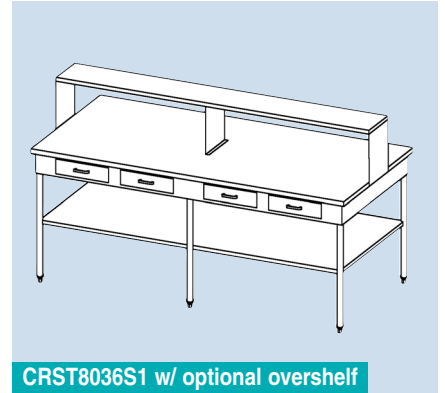
7902SS-M



WORK TABLES:



CSDT6830



CRST8036S1 w/ optional overshelf



CSDT8036 w/ optional casters

WORK TABLES are designed for use as prep tables for sterile processing departments but can be used for any application requiring a heavy-duty table with a large surface area. H-brace model comes in three sizes and offers optional shelf placement, 16" high.

Drawer models come in four sizes with either 6 or 8 drawers and can accept the same undershelf configuration as the H-Brace models. Tables are furnished with stainless steel adjustable bullet feet.

Model No.	Part No.	Dimensions (overall)	Feature	Drawers	Ship Wt. (lb)
CSDT6830	0336830000	68"L 30"W 36"H	H-Brace	0	240
CSDT6830S1	0336830100	68"L 30"W 36"H	shelf	0	260
CRST6830	0346830000	68"L 30"W 36"H	H-Brace	6	350
CRST6830S1	0346830100	68"L 30"W 36"H	shelf	6	370
CSDT8036	0338036000	80"L 36"W 36"H	H-Brace	0	280
CSDT8036S1	0338036100	80"L 36"W 36"H	shelf	0	300
CRST8036	0348036000	80"L 36"W 36"H	H-Brace	8	400
CRST8036S1	0348036100	80"L 36"W 36"H	shelf	8	380
CRST8044	0348044000	80"L 44"W 36"H	H-Brace	8	450
CRST8044S1	0348044100	80"L 44"W 36"H	shelf	8	480
CSDT9244	0339244000	92"L 44"W 36"H	H-Brace	0	400
CSDT9244S1	0339244100	92"L 44"W 36"H	shelf	0	440
CRST9244	0349244000	92"L 44"W 36"H	H-Brace	8	500
CRST9244S1	0349244100	92"L 44"W 36"H	shelf	8	540

Options: Full length overshelf, casters.

Four legs furnished on 68" long tables; all others have six legs.

Knock down version available on CSDT6830 and CSDT8036.



PRODUCT LISTING:

NESTED INSTRUMENT TABLES				
Model No.	Part No.	Dimensions	Description	Ship Wt. (lb)
7821SS	0137821000	Complete set of six		300
7822SS	0137822000	48"L 24"W 42"H		110
7823SS	0137823000	44"L 22"W 40"H		90
7824SS	0137824000	40"L 20"W 38"H		80
7825SS	0137825000	36"L 18"W 36"H		60
7826SS	0137826000	32"L 16"W 34"H		50
7827SS	0137827000	28"L 14"W 32"H		40*
INSTRUMENT TABLES				
7829SS	0117829000	30"L 16"W 34"H	instrument table with shelf	50*
7830SS	0117830000	20"L 16"W 34"H	instrument table with shelf	40*
7831SS	0117831000	33"L 18"W 34"H	instrument table with shelf	60
7832SS	0117832000	36"L 20"W 34"H	instrument table with shelf	60
7833SS	0117833000	36"L 24"W 34"H	instrument table with shelf	75
7834SS	0117834000	48"L 20"W 34"H	instrument table with shelf	90
7835SS	0117835000	48"L 24"W 34"H	instrument table with shelf	100
7836SS	0117836000	60"L 24"W 35"H	instrument table with shelf	140
7837SS	0117837000	72"L 24"W 35"H	instrument table with shelf	150
7839SS	0127839000	30"L 16"W 34"H	instrument table with H-brace	40*
7840SS	0127840000	20"L 16"W 34"H	instrument table with H-brace	30*
7841SS	0127841000	33"L 18"W 34"H	instrument table with H-brace	40
7842SS	0127842000	36"L 20"W 34"H	instrument table with H-brace	45
7843SS	0127843000	36"L 24"W 34"H	instrument table with H-brace	50
7844SS	0127844000	48"L 20"W 34"H	instrument table with H-brace	65
7845SS	0127845000	48"L 24"W 34"H	instrument table with H-brace	70
7846SS	0127846000	60"L 24"W 35"H	instrument table with H-brace	120
7847SS	0127847000	72"L 24"W 35"H	instrument table with H-brace	130
ANESTHESIA/UTILITY TABLES				
7850SS	0217850000	20"L 16"W 34"H	table with 1 drawer below	50*
7754SS	0227754000	20"L 16"W 34"H	table with 2 drawers below	65*
7857SS	0237857000	20"L 16"W 34"H	table with 3 drawers below	70*
7859SS	0247859000	20"L 16"W 34"H	table with 4 drawers below	110
7852SS	0257852000	20"L 16"W 33"H	table with guard rail on 4 sides	30*
7856SS	0317856000	36"L 20"W 34"H	table with 2 drawers side by side	90
ADJUSTABLE HEIGHT INSTRUMENT TABLES				
7892SS-0	0157892000	36"L 20"W 36"-56"H w/ crank handle		140
7893SS-0	0157893000	36"L 24"W 36"-56"H w/ crank handle		150
7894SS-0	0157894000	48"L 20"W 36"-56"H w/ crank handle		150
7895SS-0	0157895000	48"L 24"W 36"-56"H w/ crank handle		160
7896SS-0	0157896000	34"L 46"W 36"-56"H w/ crank handle		175
MOTORIZED ADJUSTABLE HEIGHT TABLES				
7901SS-M	0157901000	50-1/2"L 24"W 39-3/4"-59"H w/ foot control		325
7902SS-M	0157902000	41"L 46"W 39-3/4"-59"H w/ foot control		325
WORK TABLES				
CSDT6830	0336830000	68"L 30"W 36"H	table with H-brace, no drawers	240
CSDT6830S1	0336830100	68"L 30"W 36"H	table with shelf, no drawers	260
CRST6830	0346830000	68"L 30"W 36"H	table with H-brace, 6 drawers	350
CRST6830S1	0346830100	68"L 30"W 36"H	table with shelf, 6 drawers	370
CSDT8036	0338036000	80"L 36"W 36"H	table with H-brace, no drawers	280
CSDT8036S1	0338036100	80"L 36"W 36"H	table with shelf, no drawers	300
CRST8036	0348036000	80"L 36"W 36"H	table with H-brace, 8 drawers	400
CRST8036S1	0348036100	80"L 36"W 36"H	table with shelf, 8 drawers	380
CRST8044	0348044000	80"L 44"W 36"H	table with H-brace, 8 drawers	450
CRST8044S1	0348044100	80"L 44"W 36"H	table with shelf, 8 drawers	480
CSDT9244	0339244000	92"L 44"W 36"H	table with H-brace, no drawers	400
CSDT9244S1	0339244100	92"L 44"W 36"H	table with shelf, no drawers	440
CRST9244	0349244000	92"L 44"W 36"H	table with H-brace, 8 drawers	500
CRST9244S1	0349244100	92"L 44"W 36"H	table with shelf, 8 drawers	540

* Items can be shipped via FedEx® Ground delivery service.



39 Robinson Road Lodi, NJ 07644 • 800-247-5070 • Fax: 201-909-0832
 e-mail: info@blickman.com • www.blickman.com